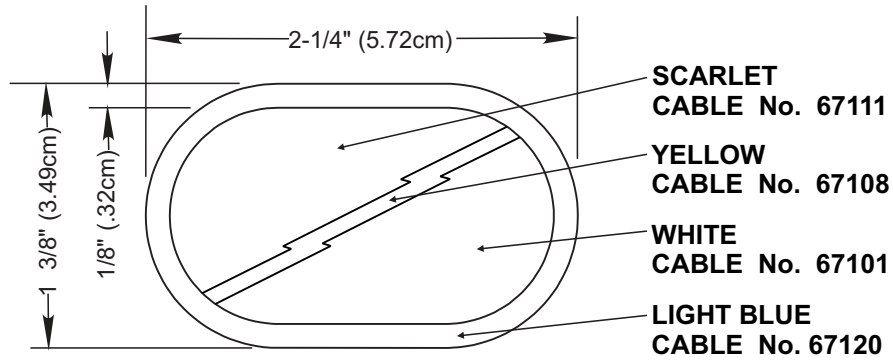


**REVISIONS**

LTR	DESCRIPTION	DATE	APPROVED
-----	-------------	------	----------



**DESIGNED FOR OVEREDGE STITCHING**

UNLESS OTHERWISE SPECIFIED DIMENSIONS ARE IN INCHES  
TOLERANCES ON FRACTIONS DECIMALS ANGLES

EXAMINED	<i>SWH</i>	
CHECKED	pm	
PREPARED	CLH	

APPROVED  
*Charles V. Mugno*  
CHARLES V. MUGNO  
DIRECTOR

**THE INSTITUTE OF HERALDRY, U.S. ARMY**  
9325 GUNSTON RD. S-112 FORT BELVOIR, VA 22060-5579

BACKGROUND TRIMMING FOR  
***FIRST SQUADRON, SIXTY-FIRST CAVALRY***

SIZE	CONTROL IDENT. NO	
<b>A</b>	<b>22571</b>	<b>A-6-232</b>
SCALE	FULL	DATE
		<b>24 OCTOBER 2005</b>

MATERIALS:  
TO BE MANUFACTURED IN ACCORDANCE WITH MIL-DTL-14652